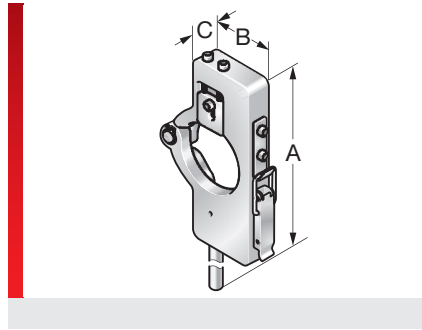
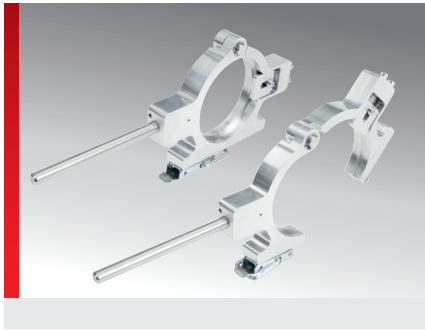


## Type m-cut

Tools



### PRODUCT INFORMATION

The type m-cut corrugated pipe cutter is made of aluminium and makes length adjustments for Murrplastik cable protection conduits easy and safe. It can be used by both the right and left-handed. A sturdy double-edged blade has been installed to achieve perfectly cut edges. Furthermore, the corrugated pipe cutters feature the following advantages:

- Extremely easy handling
- Safe handling, because of its spring-loaded blade cover, which covers the blade when the cutter is not in use.
- Faster and more secure blade exchange -> blades are available as spare parts
- Low weight

### SPECIFICATIONS

Aluminium

Made in Germany

Type	Order No.	Suitable for Murrflex	Pack qty.
m-cut M40 B	83729222	M40/P36	1

Suitable for

Aluminium

Made in Germany

All details given in our sales material prospectuses and catalogues as well as the information available online are based on our current knowledge of the products described.

The electronic data and files made available by Murrplastik, particularly CAD files are based on our current knowledge of the product described.

A legally binding assurance of certain properties or the suitability for a certain purpose can not be determined from this information.

All information with respect to the chemical and physical properties of Murrplastik products as well as application advice given verbally, in writing or by tests, is given to the best of our knowledge.

This does not free the purchaser of carrying out their own inspections and tests in order to determine the suitability of a product for a specific purpose.

Murrplastik accepts no responsibility for the available information being up-to-date, correct or complete. Neither do we accept responsibility for the quality of this information.

Murrplastik accepts no liability for damage caused as a result of using our products.

Murrplastik reserves the right to make technical changes and improvements through constant further development of products and services.

Our General Terms and Conditions apply.

© Murrplastik Systemtechnik GmbH • prvlD\_96752-20170925-890283-83729222