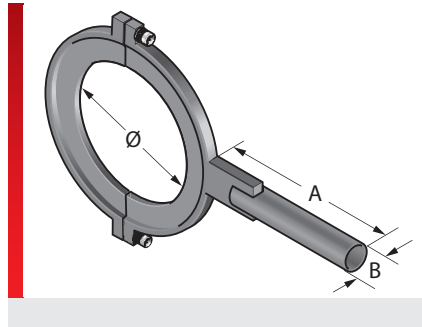


## Tension clamp (axis 6)



with FKE 32 and SH 56/70-M

### PRODUCT INFORMATION

The R-SSR wrist support serves to provide a fixing point on axis 6. Addition fastening elements can be affixed to the wrist support as required.

### SPECIFICATIONS

- Powder coated Sheet steel
- RoHS
- ROBI approval
- Made in Germany

Type	Order No.	Colour	Ø mm	A mm	B mm	Pack qty.
R-SSR 200-1 tension clamp with pipe 15°	83952642	Black	200.00	280.00	32.00	1

Suitable for

**ABB:** IRB 660, IRB 6640, IRB 6620, IRB 6650, IRB 6650S, IRB 6600, IRB 6660, IRB 6700

**Hyundai:** HH300

**Kawasaki:** CX110L, CX165L, CX210L, ZX200S, ZX300S, ZT200S, MT400N

**KUKA:** KR125/1, KR150/1, KR200/1

Powder coated Sheet steel

### CONFORMITY

**RoHS (EC Directive 202/95/EC)**

### APPROVALS AND OPERATING PERMITS

**ROBI approval**

**Made in Germany**

### Tension clamp (axis 6)

---

All details given in our sales material prospectuses and catalogues as well as the information available online are based on our current knowledge of the products described.

The electronic data and files made available by Murrplastik, particularly CAD files are based on our current knowledge of the product described.

A legally binding assurance of certain properties or the suitability for a certain purpose can not be determined from this information.

All information with respect to the chemical and physical properties of Murrplastik products as well as application advice given verbally, in writing or by tests, is given to the best of our knowledge.

This does not free the purchaser of carrying out their own inspections and tests in order to determine the suitability of a product for a specific purpose.

Murrplastik accepts no responsibility for the available information being up-to-date, correct or complete. Neither do we accept responsibility for the quality of this information.

Murrplastik accepts no liability for damage caused as a result of using our products.

Murrplastik reserves the right to make technical changes and improvements through constant further development of products and services.

Our General Terms and Conditions apply.

© Murrplastik Systemtechnik GmbH • privID\_96641~20171005~890283~83952642