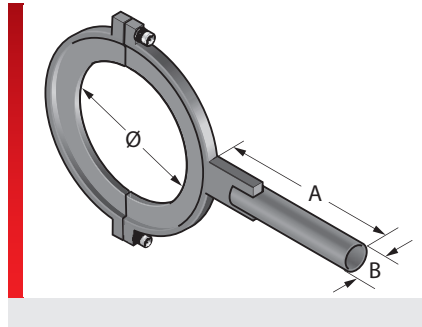


Tension clamp (axis 6)



with FKE 32 and SH 56/70-M

PRODUCT INFORMATION

The R-SSR wrist support serves to provide a fixing point on axis 6. Addition fastening elements can be affixed to the wrist support as required.

SPECIFICATIONS

- Powder coated Sheet steel
- RoHS
- Made in Germany

Type	Order No.	Colour	Ø mm	A mm	B mm	Pack qty.
R-SSR 140-1 tension clamp with pipe, straight	82390067	Black	140.00	280.00	32.00	1

Suitable for

Hyundai: HS160L, HS180, HS200L

KUKA: Kuka: KR120 R1800 nano, KR160 R1570 nano, KR90 R2700 pro, KR120 R2500 pro, KR90 R3100 extra, KR120 R2900 extra, KR150 R2700 extra, KR180 R2500 extra, KR210 R2700 extra, KR150 R3100 prime, KR180 R2900 prime, KR90 R3700 prime K, KR120 R3500 prime K, KR150 R3300 prime K, KR180 R3100 prime K

Yaskawa Motoman: MH 110, MS100II

Powder coated Sheet steel

CONFORMITY

RoHS (EC Directive 202/95/EC)

APPROVALS AND OPERATING PERMITS

ROBI approval

Made in Germany

Tension clamp (axis 6)

All details given in our sales material prospectuses and catalogues as well as the information available online are based on our current knowledge of the products described.

The electronic data and files made available by Murrplastik, particularly CAD files are based on our current knowledge of the product described.

A legally binding assurance of certain properties or the suitability for a certain purpose can not be determined from this information.

All information with respect to the chemical and physical properties of Murrplastik products as well as application advice given verbally, in writing or by tests, is given to the best of our knowledge.

This does not free the purchaser of carrying out their own inspections and tests in order to determine the suitability of a product for a specific purpose.

Murrplastik accepts no responsibility for the available information being up-to-date, correct or complete. Neither do we accept responsibility for the quality of this information.

Murrplastik accepts no liability for damage caused as a result of using our products.

Murrplastik reserves the right to make technical changes and improvements through constant further development of products and services.

Our General Terms and Conditions apply.

© Murrplastik Systemtechnik GmbH • privID_96634~20171005~890283~82390067