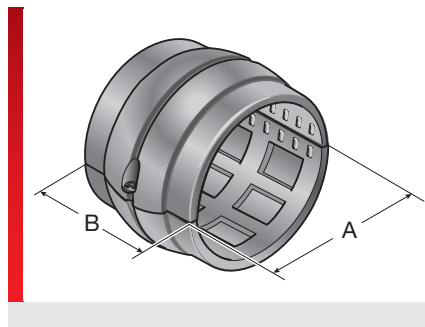
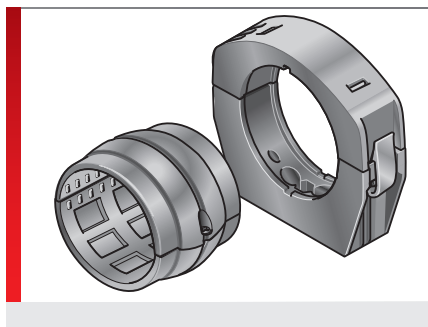


KMG-F H ball bearing



PRODUCT INFORMATION

The detachably connected KMG/F-H is the perfect fixation for coiled heat conduits. Our ball joint can be placed into the SH-system holder quickly and easily and is mostly used for robot applications and other smaller handling equipment. This way your heat conduits are routed and

protected for any application with absolute process safety.

SPECIFICATIONS

- Mod. polyamide
- 40 – 110 °C
- V0

Type	Order No.	Colour	Version	Pack qty.
KMG-F H45/13 set ¹⁾	83691602	Black	separable	1

¹⁾ Set consists of KMG-F H45/13 and SH M40/M50

Suitable for

Mod. polyamide

THERMAL PROPERTIES

Temperature / temperature range
-40 – 110 °C

FIRE BEHAVIOUR

Fire classification
V0

APPROVALS AND OPERATING PERMITS

ROBI approval

TECHNICAL INFORMATION

Halogen-free

KMG-F H ball bearing

CONFORMITY

RoHS

RoHS (EC Directive 2002/95/EC)

GENERAL INFORMATION

Made in Germany

Made in Germany

All details given in our sales material prospectuses and catalogues as well as the information available online are based on our current knowledge of the products described.

The electronic data and files made available by Murrplastik, particularly CAD files are based on our current knowledge of the product described.

A legally binding assurance of certain properties or the suitability for a certain purpose can not be determined from this information.

All information with respect to the chemical and physical properties of Murrplastik products as well as application advice given verbally, in writing or by tests, is given to the best of our knowledge.

This does not free the purchaser of carrying out their own inspections and tests in order to determine the suitability of a product for a specific purpose.

Murrplastik accepts no responsibility for the available information being up-to-date, correct or complete. Neither do we accept responsibility for the quality of this information.

Murrplastik accepts no liability for damage caused as a result of using our products.

Murrplastik reserves the right to make technical changes and improvements through constant further development of products and services.

Our General Terms and Conditions apply.

© Murrplastik Systemtechnik GmbH • privID_96616~20170825~890283~83691602