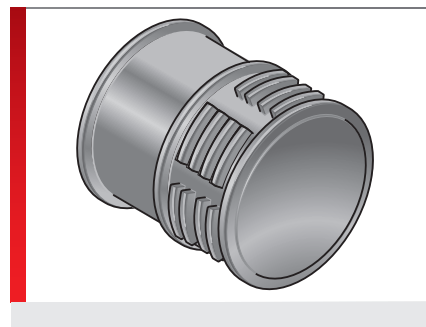
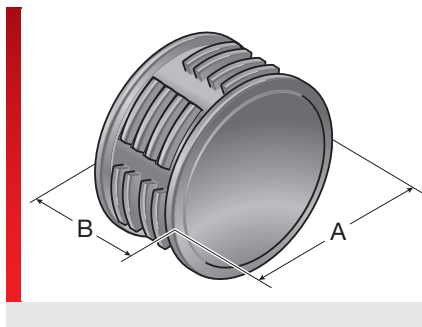


Strain relief cable star



PRODUCT INFORMATION

The cable star grommet is the optimum and most cord friendly strain relief for your cables, also offering the highest degree of tear-out resistance. The elongated KB version is fastened with an additional conduit clamp to facilitate even extreme loads. Another benefit of the cable star grommet is its preventive properties against the ingress of contamination into the dresspack.

Simply drill holes of the appropriate cable diameter into the R-ZL. Or, with a minimum order of 10 pieces, we can produce your customized hole pattern, using our waterjet technology. Talk to us!

SPECIFICATIONS

- Elastomer
- 40 – 110 °C
- V0

HF
 RoHS
 Made in Germany

Type	Order No.	Colour	A mm	B mm	Pack qty.
Strain relief as blank for self-made assembly					
V-ZLT-70KB	83692804	Black	82.50	66.50	1

Suitable for

Elastomer

THERMAL PROPERTIES

Temperature / temperature range
-40 – 110 °C

FIRE BEHAVIOUR

Fire classification
V0

APPROVALS AND OPERATING PERMITS

ROBI approval

TECHNICAL INFORMATION

Halogen-free

Strain relief cable star

CONFORMITY

RoHS

RoHS (EC Directive 2002/95/EC)

GENERAL INFORMATION

Made in Germany

Made in Germany

All details given in our sales material prospectuses and catalogues as well as the information available online are based on our current knowledge of the products described.

The electronic data and files made available by Murrplastik, particularly CAD files are based on our current knowledge of the product described.

A legally binding assurance of certain properties or the suitability for a certain purpose can not be determined from this information.

All information with respect to the chemical and physical properties of Murrplastik products as well as application advice given verbally, in writing or by tests, is given to the best of our knowledge.

This does not free the purchaser of carrying out their own inspections and tests in order to determine the suitability of a product for a specific purpose.

Murrplastik accepts no responsibility for the available information being up-to-date, correct or complete. Neither do we accept responsibility for the quality of this information.

Murrplastik accepts no liability for damage caused as a result of using our products.

Murrplastik reserves the right to make technical changes and improvements through constant further development of products and services.

Our General Terms and Conditions apply.

© Murrplastik Systemtechnik GmbH • privID_96583~20170911~890283~83692804